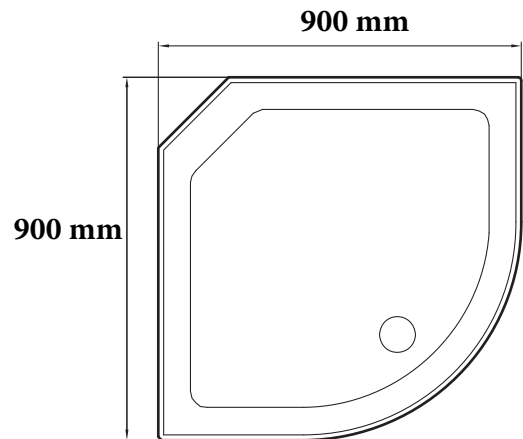
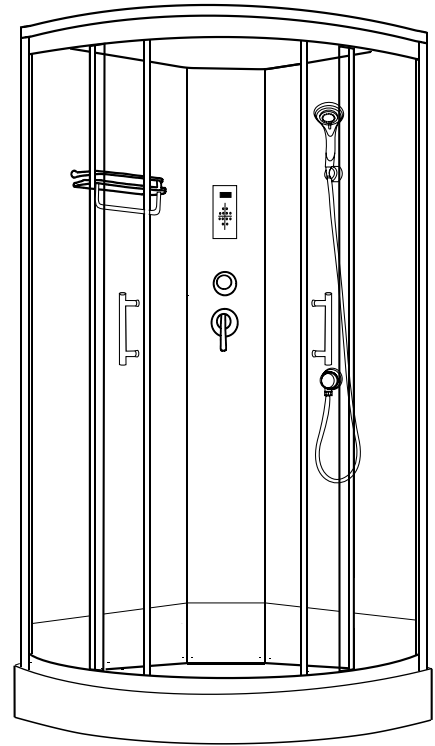
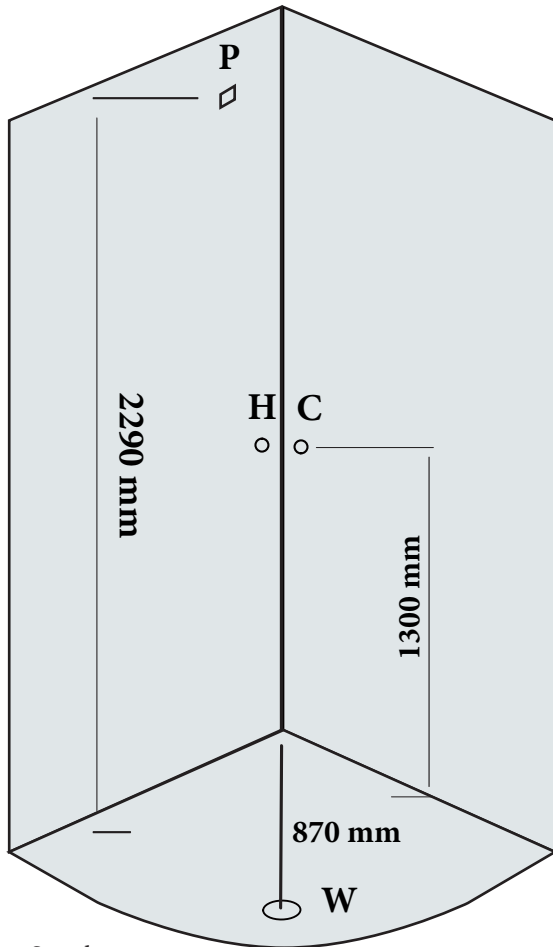


# LUNA Pre-Installation Guide

Size 900x900x2190mm



## KEY

- P = Power Supply
- H = Hot Water
- C = Cold Water
- W = Waste Trap

## Installation Requirements

### Assembly

The unit is completely free standing and sectional and will fit through standard doorways for assembly on site. You will need to allow access around it for assembly. Once assembled the unit can be connected via flexible pipes and moved back into position.

### Water Supply

The shower requires a supply of hot and cold water at a minimum of 1.5 bar of pressure. This can be achieved from a combination boiler/pressurised system or a pumped gravity/vented supply. The shower should be connected to the supply via two flexible hot and cold supply pipes with 1/2bsp female tap connector ends which will connect where shown on the plan above. There should be enough slack in the pipework to allow the shower to move in and out of position.

### Drainage

The unit has an easy plumb tray with a removable front skirt panel. The shower is supplied with a flexible waste pipe that can be connected almost anywhere under or behind the raised tray or as long as there sufficient fall beyond. Due to the access at the front it is also possible to connect the shower to fixed waste pipework once the shower is in position.

### Ventilation

No additional ventilation is required beyond what is necessary for a conventional shower.

The roof will limit the production of condensing water vapour as the air inside the shower will be largely contained by the roof and heated by the hot water.

### Electrical Connection

The control circuit within the shower is 12 volt although this is powered by a 240 volt transformer that must be connected or approved by a fully qualified electrician to an RCD protected supply. The above plan shows a suggested connection point. We also recommend that an isolation switch is installed to cut the power to the transformer.