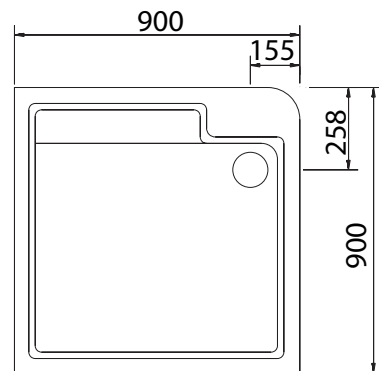
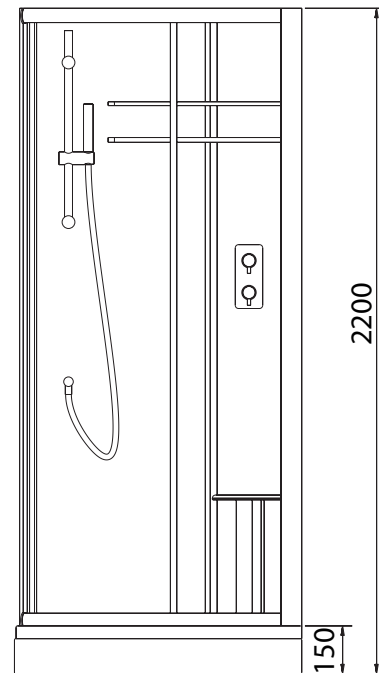
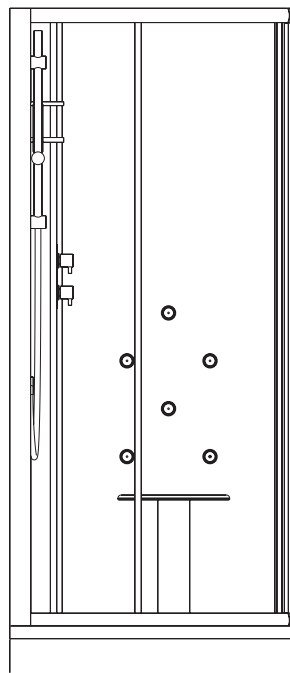
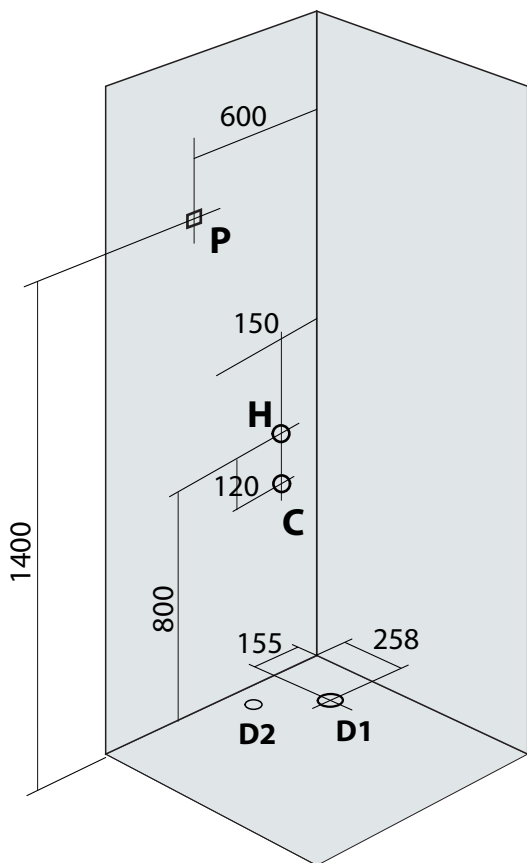


# PORTO AS-2405

Size 900x900x2200mm



## Key

- P** = Power supply
  - H** = Hot water feed
  - C** = Cold water feed
  - D1** = Drainage
  - D2** = Drainage under ground
- All measurements are in mm.

## Installation Requirements

### Assembly

The unit is completely free standing and sectional and will fit through standard doorways for assembly on site. You will need to allow access around it for assembly. Once assembled the unit can be connected via the flexible pipes provided and moved back into position. This model will require 10cm clearance above the roof line to attach the roof.

### Water Supply

The shower requires a supply of hot and cold water at a minimum of 1.5 bar of pressure. This can be achieved from a combination boiler/pressurised system or a pumped gravity/vented supply. Two braided flexible hot and cold supply pipes are provided with the shower and if connected where shown on the plan above will allow enough slack to move the shower in and out of position. It's also possible to extend the pipes and connect elsewhere.

### Drainage

The unit has an easy plumb tray with a removable front skirt panel. Your fixed waste should be positioned within approximately 30cm of the waste trap (D1) and connected with the flexible and expandable waste pipe provided via a standard McAlpine compression fitting. The fixed pipe can be brought up through the floor (D2) or through the wall from behind the shower.

### Ventilation

No additional ventilation is required beyond what is necessary for a conventional shower. The roof contains the water vapour and the steam can be condensed to waste just by turning on the shower after use.

### Electrical Connection

A 3kw supply is required which should be connected through the RCD (residual current device) supplied or an appropriate RCD protected fused spur or consumer board. We also recommend that an isolation switch is installed to cut the power to the transformer that powers the low voltage ancillaries (radio lights etc.). It's essential that all electrical work is carried out by a fully qualified electrician or inspected before use.