

## Delivery

The unit is sectional and will be delivered in three boxes, weight and dimensions as below.

<b>Box 1</b>	Dimensions: <b>184 x 99 x 86 cm</b>	Weight: <b>110kg</b>
<b>Box 2</b>	Dimensions: <b>160 x 112 x 53 cm</b>	Weight: <b>98kg</b>

When opening these boxes ensure that they are the correct way up with the arrows pointing upwards.

## Basics

Luyisi and Potter steam showers are free standing silicone free units that simply require connection to the following services.

**Hot and cold water** (At minimum of 1.5 bar pressure)

**Electricity**

**Drainage**

All of these connections are flexible including the waste pipe which also concertina's to allow adjustment of the length.

## Fitting

The unit is designed to be assembled away from your rear walls and can then be pushed back into position once the services are connected. Typically you would level the base tray in position by adjusting the feet and connect it to the waste before moving away from the walls for final assembly. You will need some access to the rear and some clearance above the unit in order to assemble it.

We also recommend that once it is in position you do not block it in by fitting any other appliances in front that would restrict movement. We suggest that you leave enough space to allow you to slide it forward to access the rear of the main control column should this become necessary for maintenance.

## Tiling

It is not necessary to tile behind the unit although if you are installing it on a tiled floor we recommend that you should tile underneath the unit to make it easier to move into position. It is not essential that the floor is tiled but the surface should be level and firm.

## Connection / Water

Hot and cold connection is via two metal braided flexible 15mm pipes with female connector's. Both of these are 110cm long and are pre-attached to the rear of the mixer tap in the column containing the thermostatic mixer tap and diverter valve.

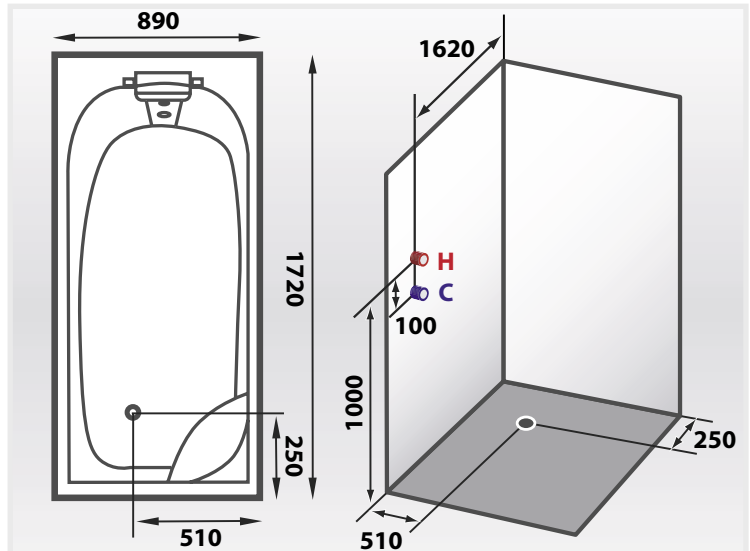
If these pipes are connected as suggested in the diagram above this will ensure enough slack in the pipes in order to move the unit out from the wall should this ever be necessary for maintenance.

However it is also possible to extend these pipes and connect them elsewhere including in the void under the base tray as there is an access hole into the base tray from the column housing the mixer tap.

The unit requires a minimum of 1.5 bar of pressure on both the hot and the cold supply and we recommend a minimum flow rate of 7 litres per minute. The unit will work perfectly with a Combination boiler, pressurised system, pump or any form of supply that provides an adequate and broadly even pressure to the both the hot and cold feeds. If using a pump we recommend the use of a 2.5 to 3 bar pump.

In some cases it may be necessary to remove the two non return valves fitted in the mixer tap to allow a less restricted flow of water through the tap to aid the operation of positive head pumps. We also recommend that you fit inline isolation valves to both the hot and cold supply pipes.

The unit is fitted with a high grade thermostatic mixer and it is not essential to fit a Pressure Equalising Valve or PEV. However a PEV would provide additional protection from sudden pressure loss on the hot or cold supply.



**H** = Hot Water Feed  
**C** = Cold Water Feed

All measurements above are in mm.

**Note.** The measurement shown on the floor of the diagram above is where the trap will be when the unit is in position. The plan features a right sided model, in a left sided unit the panel containing the mixer tap is located on the opposite side and the water connection points change accordingly.

## Connection / Waste

The unit has an easy plumb raised tray with adjustable feet. The tray is fitted with shallow trap with a strainer which allows the unit to be installed directly on your floor providing the connection to your fixed waste is at ground level or lower.

The extendable waste pipe supplied is 40mm in diameter and 114cm long when fully extended and 30cm long once collapsed. This can be connected to a fixed waste pipe with a standard Mc Alpine compression fitting.

## Ventilation

Our steam showers do not require any more ventilation than is necessary for a conventional shower. It is not necessary to attach ducting to the cabin or to vent the steam directly outside as simply turning on the shower after a steam session will condense the steam inside the cabin.

## Connection / Electricity

The unit features a 3kw steam generator; the lights and radio etc. are all 12 volt and are powered by a transformer inside the main computer box. There is an RCD (residual current device) fitted to the end of a single electrical cable which is approximately 160cm long and attached to the computer which is housed in the main electrical control column (the column containing the control panel).

The electrical cable can be connected to a 13 amp supply outside of the bathroom through an appropriate fused spur or direct to the consumer board. We recommend that you ensure that the RCD remains accessible for test purposes; if necessary you can remove the RCD supplied with the unit and connect it directly to a fused spur with a built in RCD or to a protected consumer board.

The unit can be switched on and off from the remote or the control panel but we recommend that you also fit a pull switch in the bathroom or a pole switch outside to isolate the power after use. This will cut the power to the 12 volt transformer that powers the low voltage ancillaries. There is also a separate earth wire connected to the steam generator which must be properly grounded.

On this model there is also a separate electrical connection for the massage pump that also requires connection, this draws 0.9kw.

In all instances it is essential that you have any electrical work inspected before use or have the unit connected by a fully qualified professional electrician as required under UK legislation.