

Delivery

The unit will be delivered in three boxes, weight and dimensions as below

1. 184 x 99 x 66cm 120kg
2. 160 x 112 x 53 cm 128kg
3. 156 x 46 x 26 18kg

When opening these boxes ensure that they are the correct way up with the arrows pointing upwards.

Basics

Luyisi and Potter steam showers are free standing silicone free units that simply require connection to the following services.

Hot and cold water (At minimum of 2 bar pressure)

Electricity

Drainage

All of these connections are flexible including the waste pipe which also concertina's to allow adjustment of the length.

Fitting

The unit is designed to be built away from your rear walls and can then be pushed back into position once the services are connected. Typically you would level the base tray in position and connect it to the waste before moving away from the walls for final assembly. You will need some access to the rear and some clearance above the unit in order to assemble it

We also recommend that once it is in position you do not block it in by fitting any other appliances in front that would restrict movement. We suggest that you leave enough space to allow you to slide it forward to access the rear of the main control column should this become necessary for maintenance.

Tiling

It is not necessary to tile behind the unit although we do recommend that you tile underneath the unit to make it easier to move into position.

Connection / Water

Hot and cold connection is via two braided flexible 15mm pipes with female connector's, both of these are 110cm long and are pre-attached to the rear of the faucet in the aluminium column containing the faucet and changeover valve.

See plan below for suggested connection points.

Note The suggested connection points are based on the use of the 110cm long flexible pipes that are supplied with the unit. This will ensure enough slack in the pipes in order to move the unit out from the wall should this be necessary for maintenance. However it is also possible to extend these pipes and connect them in the void underneath the base tray or even up above the roof. There are access holes down into the base tray and up to the roof from the inside the hollow aluminium column that houses the faucet.

In some cases it may be necessary to fit non return valves to the end of each pipe to ensure the correct operation of certain shower pumps. We also recommend that you fit inline isolation valves to both hot and cold supply.

The unit requires a minimum of 2 bar of pressure on both the hot and the cold supply. The unit will work perfectly with a Combination boiler or a pump or any system that provides adequate pressure to the both the hot and cold feeds.

Connection / Waste

The unit has a shallow trap with strainer fitted in the void underneath the base tray which allows you to connect to your fixed waste at ground level or lower as there is a drop from the bottom of the trap.

The extendable waste pipe supplied is 40mm in diameter and 114cm long when fully extended and 30cm long once collapsed. This can be connected to a fixed waste with a standard McAlpine compression fitting.

Connection / Electricity

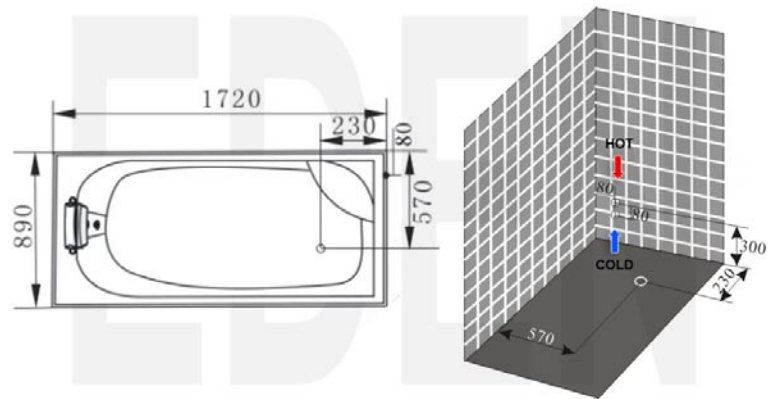
The unit requires a 3kw supply for the steam generator and the lighting circuit etc. There is an RCD (residual current device) fitted to the end of the electrical cable which is approximately 160cm long and attached to the computer box housed in the main electrical control column (the aluminum column containing the control panel).

The electrical cable should be connected to your supply outside of the bathroom through an appropriate fused spur. If it is necessary to extend the cable we recommend that you ensure that the RCD remains accessible for test purposes, if necessary you can remove the RCD supplied with the unit and connect it directly to a fused spur with a built in RCD. In all cases the unit must be connected through an appropriate RCD which will immediately cut the electricity supply in the unlikely event of a power leakage.

The unit can be switched on and off from the remote or the control panel but we also recommend that you fit a pull switch in the bathroom to isolate the power after use. This will cut the power to the 12 volt transformer that powers some of the low voltage ancillaries. There is also a separate earth wire connected to the steam generator which must be properly grounded.

On this model there is also a separate electrical cable for the massage bath pump that requires connection, this draws 0.9kw.

In all instances it is essential that you either have any electrical work inspected before use or have the unit connected by a fully qualified professional electrician as required under UK legislation.



Note. The plan features a right sided model, in a left sided unit the column containing the faucet is located on the left hand corner.

Eden Steam Showers (Eden Distribution Ltd)

5 Bagshot Road, Chobham, Surrey, GU24 8BP

Tel: **01276 856 240** Fax: **01276 856 240**

Email: contact@EdenSteamShowers.co.uk Web: EdenSteamShowers.co.uk

© Eden Distribution 2008

